



LAGUNA

Woodworking Machinery 2020

TABLE SAWS

BANDSAWS

SANDERS

LATHES

DUST COLLECTORS

AIR FILTRATION

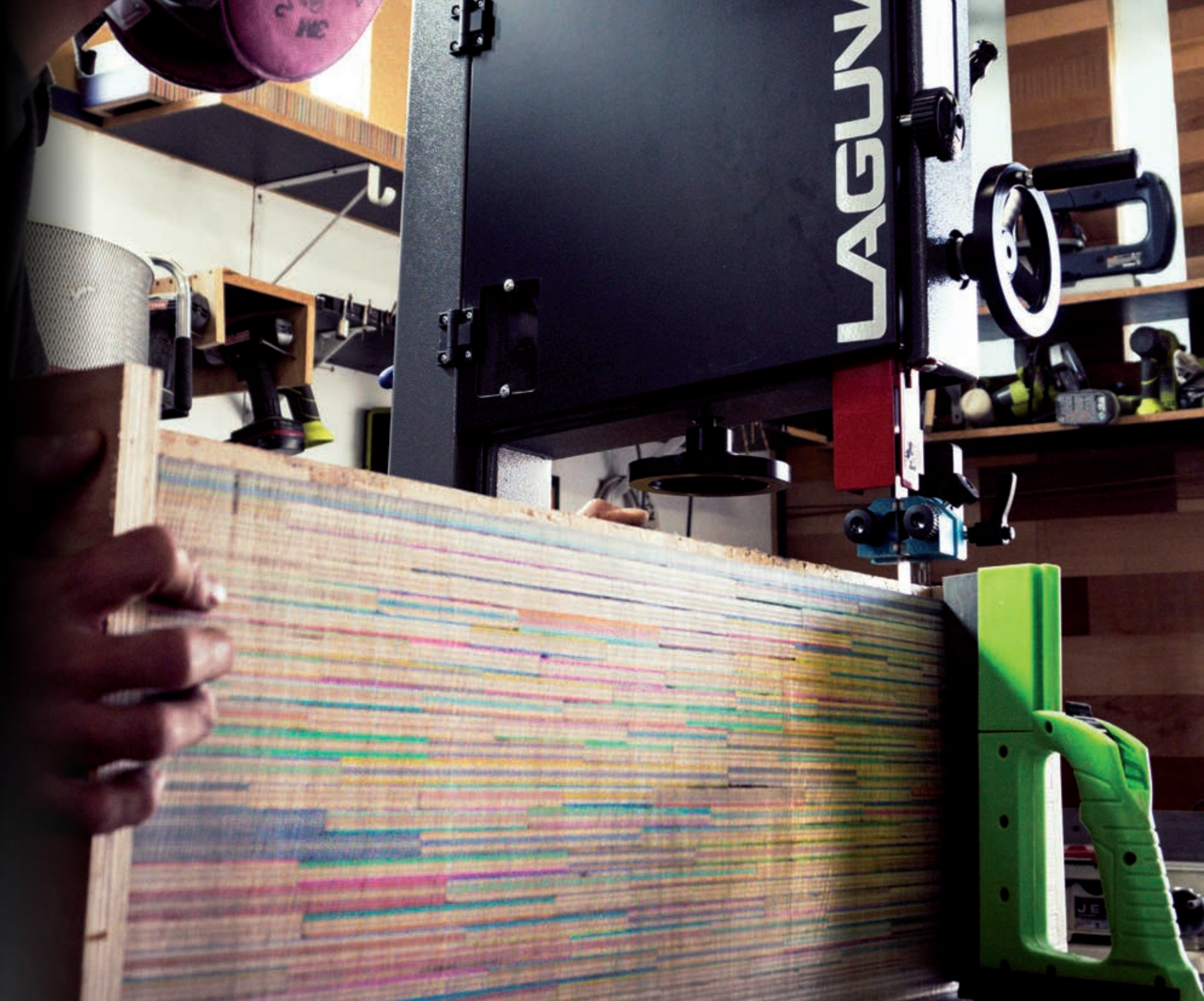


IGM[®]

Tools & Machinery

Importer and Distributor for the EU

LAGUNA



COMMUNITY ACTIVITY

The design of Laguna equipment is inspired by the needs and recommendations of professional woodworkers, creating unique design solutions that woodworking community lacks on today's market. The result is always a professional machine for versatile work in your shop.

SMART FEATURES

The machines are fitted with smart solutions that cover the needs of a modern woodshop. Easy to control robust machines and their precise setup are the basis of every Laguna machine. Thanks to attention to detail and unique features, Laguna has received recommendations from prestigious magazines, the Tool Guide and the Woodworkers Journal.

PROFESSIONAL DESIGN

The actual design of Laguna machines began with the help of professional woodworkers in California. Experienced customers suggest unique features that they miss with other machines on the market. The result is always a professional machine for versatile work in your shop.

STABILITY AND RUGGEDNESS

Even from a safety point of view, the stability of a machine is the backbone of precise work. You can always be sure with a smooth, vibration-free run and absolute certainty when working. Robust cast-iron or all-steel design for quality cuts and its dust collection.

FUSION3 Table Saw

LAGUNA

SKU: 151-FUSION3



Supplied with:

- Rip Fence
- Mitre Fence
- Feeder for Small Parts
- Dust Cover
- Rear Extension
- Carbide Saw Blade
- Extraction Hose

PARAMETERS

Type: **Fusion 3**

Rating: **Professional**

Power Output (230 V): **2,2 kW**

Blade DIA x Bore: **250 x 30 mm**

Speed: **3450 rpm**

Blade Tilt: **0–45°**

Max. Depth of Cut at 45°: **56 mm**

Max. Depth of Cut at 90°: **79 mm**

Max. Rip Capacity: **914 mm**

Dust Extraction Outlet: **100 mm**

Length x Width x Height: **1663 x 1575 x 1081 mm**

Weight: **157 kg**



FUSION3 Table Saw

Technical Details

The first thing that will catch your attention is the large cast-iron table. The table provides plenty of room for sizing of larger pieces. Fusion 3 Table Saw comes equipped with a rear table that enlarges the main table by 500 mm.

A rugged rip fence slides easily on the surface of the saw and comes fitted with a soft plastic handle that securely locks the fence in any position. The adjustable scale is easy to read thanks to a magnifier. You can flip the aluminium profile of the fence for thinner operations by 90 degrees. The table features two handy T-slots for the mitre fence on both sides of the blade.

The cast-iron control wheels with a foldable handle and a lock secure light and a precise tilt of the blade up to 45° as well as up and down travel. Clever design allows dust extraction from the bottom of the saw and the blade. Comes fitted with a 100 mm dust extraction outlet.

The saw is powered by a strong 2200 W motor. Cast-iron trunnion provides stability and perfect cut at all times. Thanks to the zero clearance insert plate, you can size at 0° to 45°. You can easily remove the insert plate using the handy quick-lock, the plate also comes fitted with worm screws for flush adjustments.

The Fusion 3 features smart design. E.g. the quick clamping mechanism of the riving knife or a stop mechanism that locks the shaft for easy removal of the blade. You can move the saw around your shop thanks to two lockable wheels. Storage around the cabinet of the saw allows clever storing of the rip fence, mitre fence or feeder.

Comes partially assembled in a transport crate. Assembly time is approximately 1 hour.



Cast-Iron Table with a Rip Fence



Handy Parts Storage



Quick-Clamping Mechanism



Lever for a Quick Blade Swap

Available Accessories

Width of Cut Extension to: 1320 mm



SKU: 151-Fusion52

Replacement Zero Clearance Plate



SKU: 151-FusionTP

Riving Knife



SKU: 151-Fusion3-27



Blade Tilt and Height Control



Easy to Lift and Move Around

1412 Bandsaw

LAGUNA

SKU: 151-1412

Supplied with:

- Parallel Fence
- Stand

PARAMETERS

Type: **Laguna 1412**

Rating: **Professional**

Power Output (230 V): **1,3 kW**

Worktop: **406 x 546 mm**

Blade Length: **2946 mm**

Blade Width min. / max.: **3 / 19 mm**

Blade Speed: **965 m/min**

Max. Height of Cut: **305 mm**

Max. Width of Cut to Fence: **310 mm**

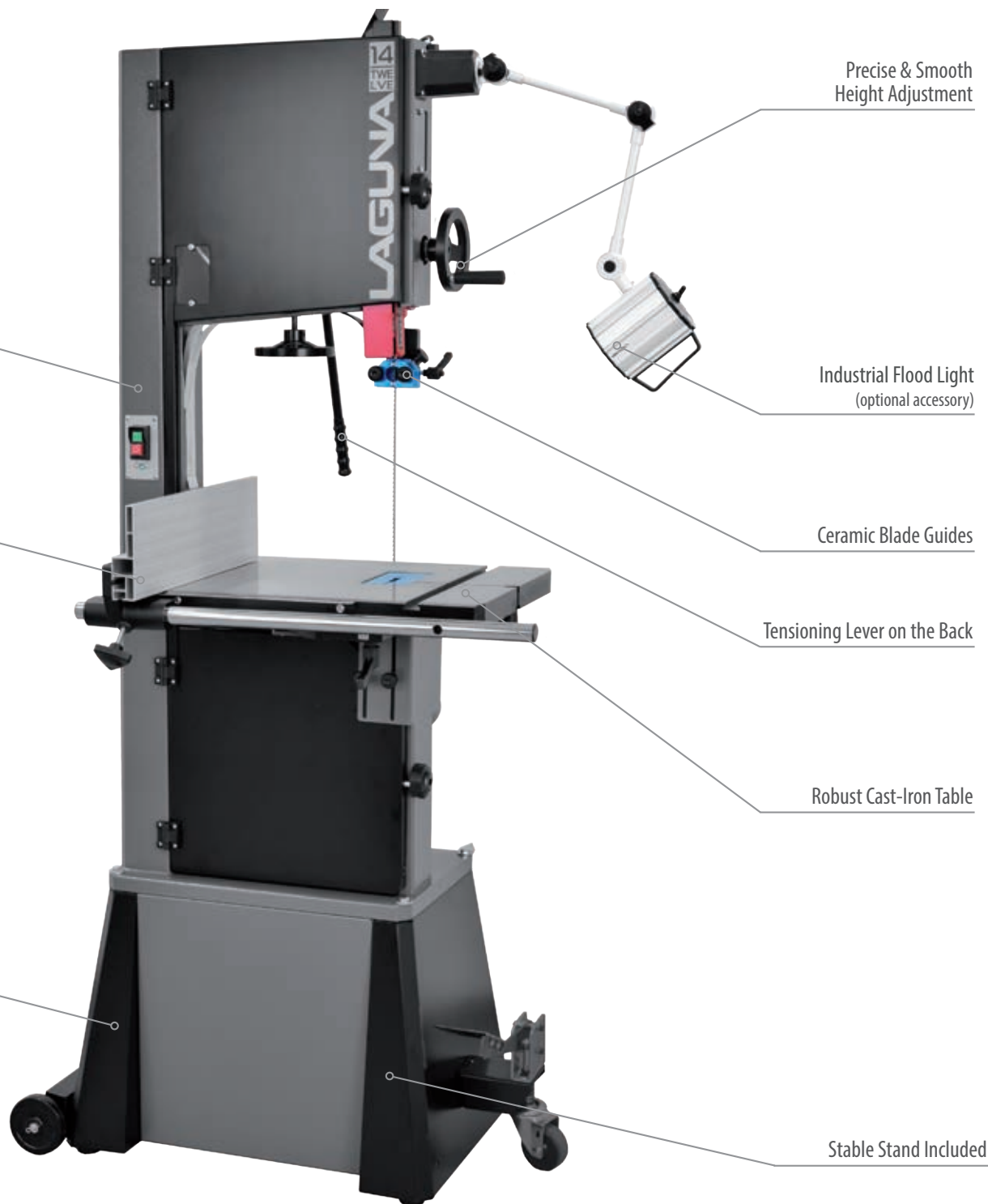
Max. Width of Cut to Column: **350 mm**

Table Tilt: **-7° to +45°**

Dust Extraction Outlet: **100 mm**

Length x Width x Height: **800 x 683 x 1784 mm**

Weight: **117 kg**



1412 Bandsaw

Technical Details

Ideal for professional woodshops that require accuracy and strong cutting power.

The main feature of the IGM Laguna 1412 Table Saw is a triangular frame and a strong 1,2 kW motor. The micro-polished cast-iron worktop (54x40 cm) provides stability even for oversized workpieces. The table also tilts from -7° to $+45^{\circ}$. The robust fence is easily adjustable and can be installed into two positions (vertical and horizontal). The solid cast-iron wheels are fitted with polyurethane tyres. The tyres are designed to withstand heat and offer longer service life than regular rubber tyres. The worm gear & pinion on the blade guard is ultra-smooth and engineered to have minimum flex even when fully extended.

The saw comes with ceramic guides on the upper and lower wheel for precise tracking of the saw belt. These slides provide excellent cut control and prolong the service life of the belt. See-through windows on the upper wheel allow you to check for proper tracking and tension of the belt. A lever on the backside of the bandsaw allows for quick tensioning and release of the belt. The IGM Laguna 1412 stands out amongst other machines especially for its clever design that allows cuts up to 305 mm.

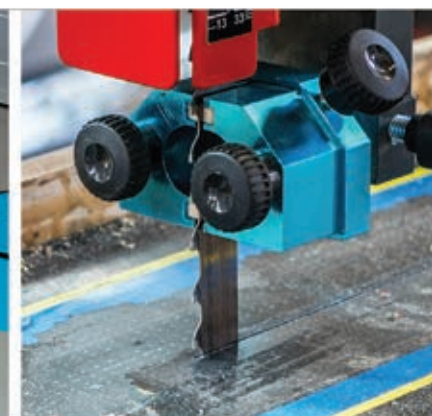
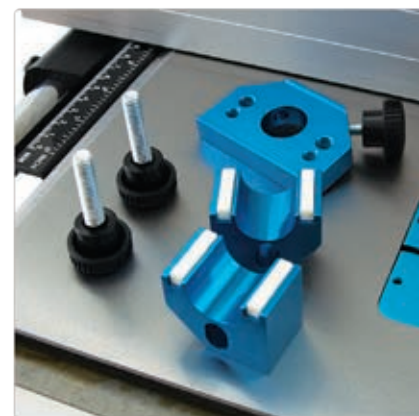
The bandsaw is fitted with all CE required safety features. Comes partially assembled in a cardboard box. Assembly time is approximately 1 hour. The Saw is not fitted with a belt, has to be purchased separately.



Table Tilt -7° to $+45^{\circ}$



Height of Cut 305 mm



Ceramic Blade Guides

Available Accessories

Mobility Kit



SKU: 151-1412MBA

Industrial Flood Light



SKU: 151-1836L



Balanced Cast-Iron Wheels



Lower Wheel Fitted with a Dust Brush

14BX Bandsaw

LAGUNA

SKU: 151-14BX

Supplied with:
• Parallel Fence

PARAMETERS

Type: **Laguna 14bx**

Rating: **Professional**

Power Output (230 V): **1,9 kW**

Worktop: **406 × 546 mm**

Blade Length: **2946 mm**

Blade Width min. / max.: **3 / 19 mm**

Blade Speed: **965 m/min**

Max. Height of Cut: **346 mm**

Max. Width of Cut to Fence: **310 mm**

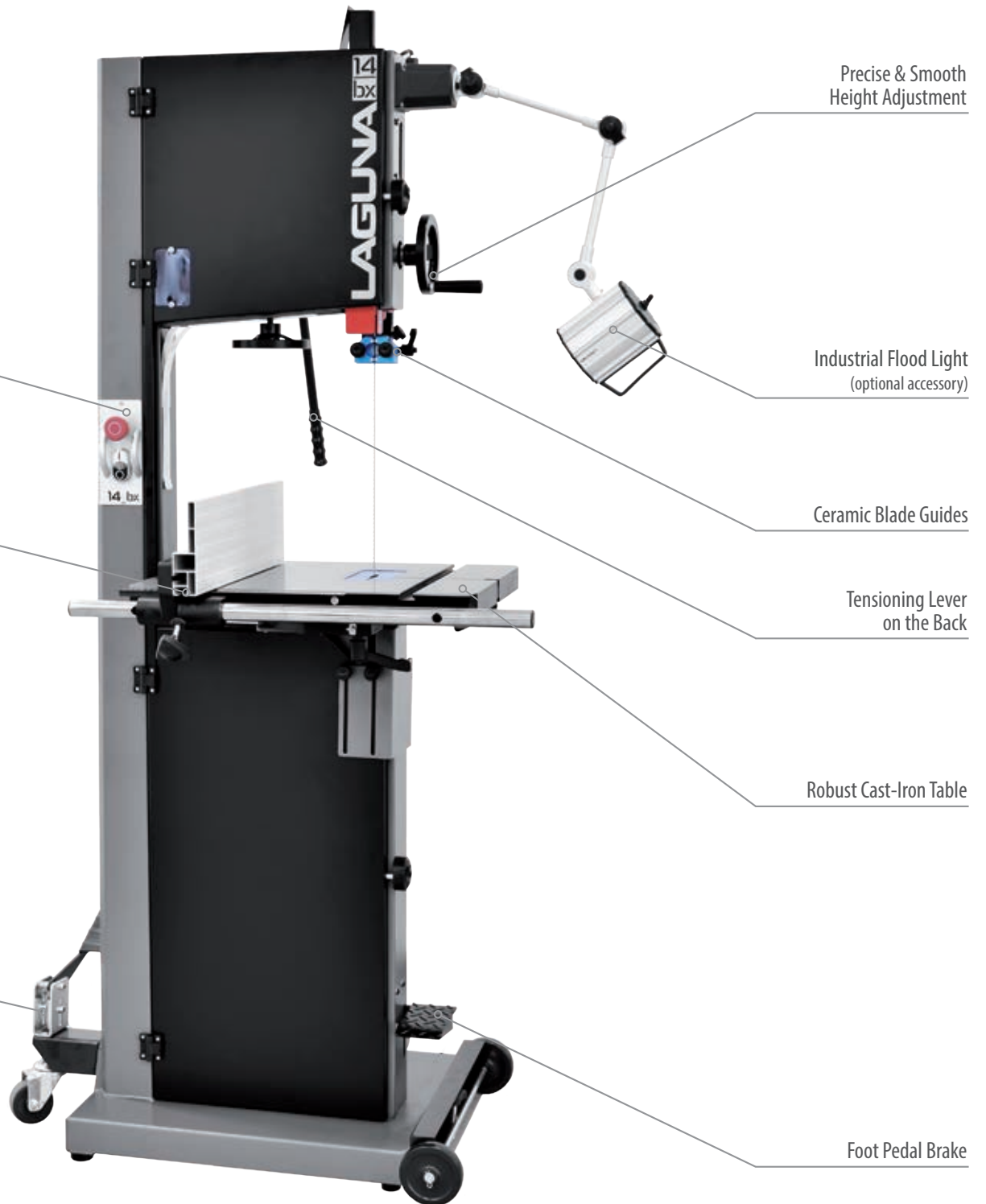
Max. Width of Cut to Column: **350 mm**

Table Tilt: **-7° to +45°**

Dust Extraction Outlet: **100 mm**

Length x Width x Height: **713 × 755 × 1790 mm**

Weight: **123 kg**



14BX Bandsaw

Technical Details

This bandsaw is ideal for a professional woodshop that requires accuracy and high-quality cutting power.

The IGM Laguna 14bx Bandsaw features a heavy robust frame with a powerful 1,9 kW motor. The ground cast alloy worktop 540 x 400 mm provides stability even for oversized workpieces. The table also tilts from -7° to +45°.

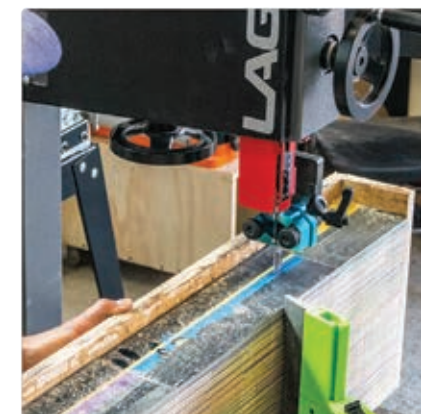
The robust fence is easily adjustable and can be installed into two positions (vertical and horizontal). The strong cast alloy wheels are fitted with a polyurethane belt along the whole wheel. The belt is designed to withstand heat and for a longer service life than regular rubber belts. The worm gear & pinion on the blade guard is ultra-smooth and engineered to have minimum flex even when fully extended. Pressing the foot pedal firstly cuts power to the motor and secondly activates the disc brake to bring the saw to a virtually instantaneous stop.

Fitted with ceramic guide system above and below worktop. Ceramic guides guide the blade accurately while securing ideal cut quality and prolonging the life of your belt. Double windows allow you to check both tension & tracking while the machine is running. A lever on the backside of the saw allows for quick tensioning and release of the belt. The IGM Laguna 14bx stands out amongst other machines especially for its clever design that allows cuts up to 346 mm.

The band saw is fitted with all CE required safety features. Comes partially assembled in a transport crate. Assembly time is approximately 1 hour. The Saw is not fitted with a belt, has to be purchased separately.



Table Tilt -7° to + 45°



Height of Cut 346 mm



Ceramic Blade Guides

Available Accessories

Mobility Kit



SKU: 151-1412MBA

Industrial Flood Light



SKU: 151-1836L



Balanced Cast-Iron Wheels

Foot Pedal Brake

18BX Bandsaw

LAGUNA

SKU: 151-18BX

Supplied with:

- Parallel Fence

PARAMETERS

Type: **Laguna 18bx**

Rating: **Professional**

Power Output (400 V): **2,2 kW**

Worktop: **508 × 660 mm**

Blade Length: **3695 mm**

Blade Width min. / max.: **3 / 31 mm**

Blade Speed: **965 m/min**

Max. Height of Cut: **463 mm**

Max. Width of Cut to Fence: **400 mm**

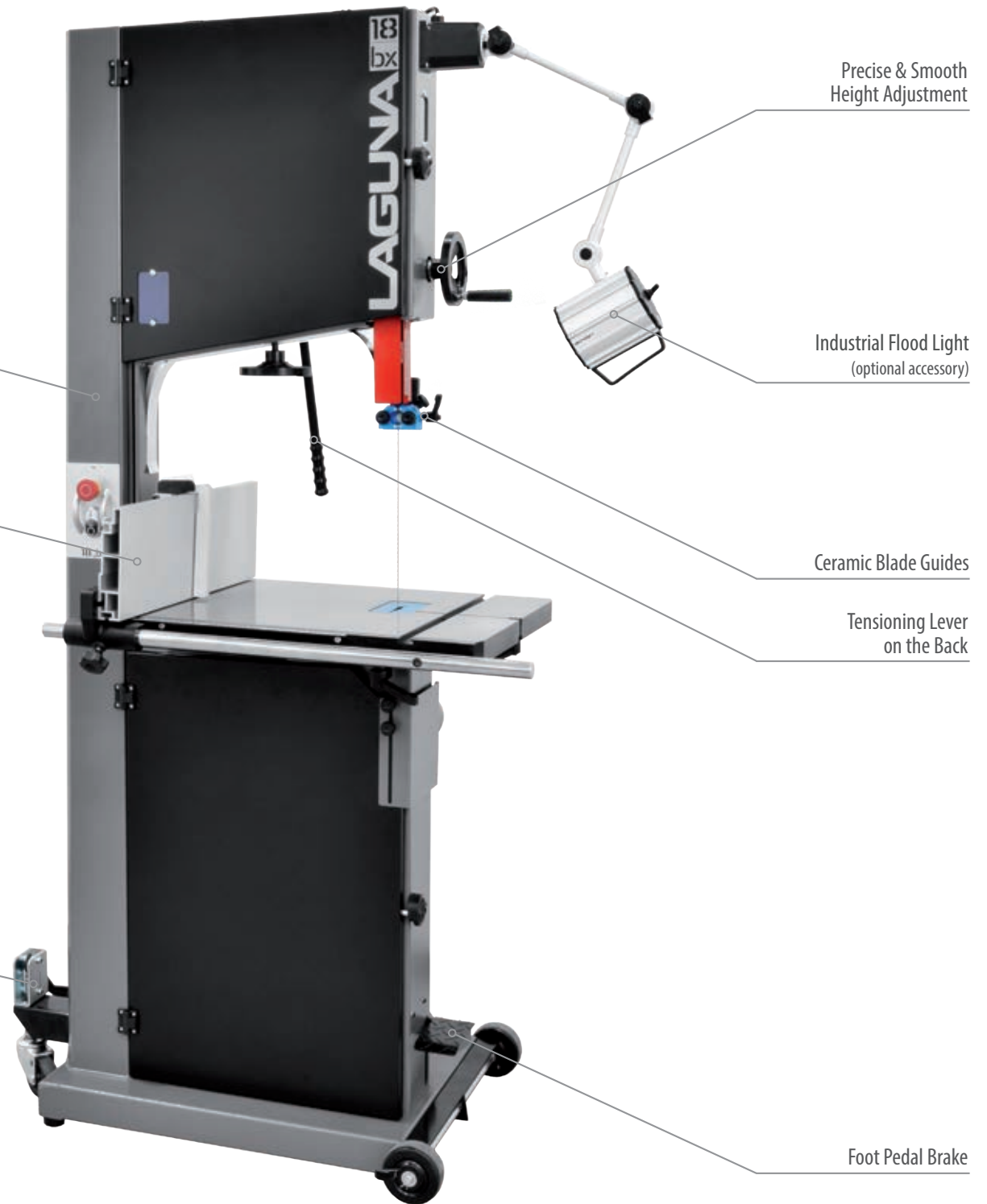
Max. Width of Cut to Column: **460 mm**

Table Tilt: **-6° to +45°**

Dust Extraction Outlet: **100 mm**

Length x Width x Height: **759 × 919 × 1975 mm**

Weight: **186 kg**



18BX Bandsaw

Technical Details

Robust bandsaw for professional woodworking with a handy cutting height and the strongest motor in the Laguna series.

The IGM Laguna 18bx Bandsaw features a heavy robust frame with a powerful 2,2 kW motor. The ground cast alloy worktop 500 x 660 mm provides stability even for oversized workpieces. The table also tilts from -6° to +45°.

The robust fence is easily adjustable and can be installed into two positions (vertical and horizontal). The strong cast alloy wheels are fitted with a polyurethane belt along the whole wheel. The belt is designed to withstand heat and has a longer service life than regular rubber belts. The worm gear & pinion on the blade guard is ultra-smooth and engineered to have minimum flex even when fully extended. Pressing the foot pedal firstly cuts off the power to the motor and secondly activates the disc brake to bring the saw to a virtually instantaneous stop.

Fitted with ceramic guide system above and below worktop. Ceramic guides guide the blade accurately while securing ideal cut quality and prolonging the life of your belt. Double windows allow you to check both tension & tracking while the machine is running. A lever on the backside of the saw allows for quick tensioning and release of the belt. The IGM Laguna 18bx stands out amongst other machines especially for its clever design that allows cuts up to 463 mm.

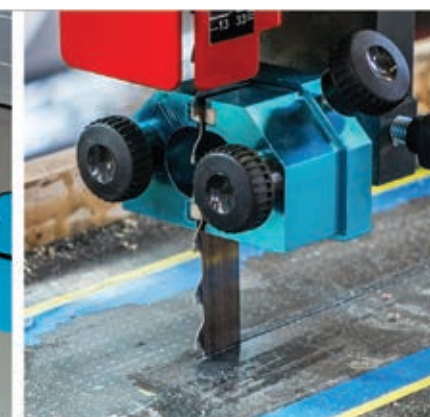
The band saw is fitted with all CE required safety features. Comes partially assembled in a transport crate. Assembly time is approximately 1 hour. The Saw is not fitted with a belt, has to be purchased separately.



Table Tilt -6° to + 45°



Height of Cut 463 mm



Ceramic Blade Guides

Available Accessories

Mobility Kit



SKU: 151-18bxMBA

Industrial Flood Light



SKU: 151-1836L



Balanced Cast-Iron Wheels



Foot Pedal Brake

1632 SuperMax Drum Sander

LAGUNA

SKU: 151-1632

Supplied with:

- Stand
- Abrasive, 80G

PARAMETERS

Type: **1632 SuperMax**

Rating: **Professional**

Power (230 V): **1,1 kW**

Conveyor Belt Motor: **40 W**

Speed: **1420 rpm**

Drum Size: **127 x 406 mm**

Feed Speed: **0-3 m/min.**

Thickness of Material min./max.: **0,8 - 76 mm**

Workpiece Width: **406 (812) mm**

Width of Abrasive: **76 mm**

Dust Extraction Outlet: **100 mm**

Minimum dust collector capacities: **1000 m³/h**

Length x Width x Height: **860 x 560 x 1220 mm**

Weight: **62 kg**

Turbo Vented Dust Port increases air-flow to dust collectors by 15%

Intellisand Technology automatically adjusts the feed speed

Micro-setting

Quick drum adjustment lever

Built-in Digital Thickness Read Out

Stand Included



1632 SuperMax Drum Sander

Technical Details

Drum Sander designed by the woodworking community. Featuring innovative solutions professionals were lacking on modern sanding machinery.

One of them is a quick and accurate height adjustment. Allows full height adjustments, with one pull of a lever versus 48 revolutions of a hand wheel, greatly reducing set-up time and increasing productivity. Built-in Digital Read Out helps maintain consistent thicknesses to increase accuracy and output quality.

Sanding accuracy guaranteed by robust drum housing and perfect parallel setting between the conveyor and the drum. Just one nut adjusts the conveyor to parallel the sanding head, making aligning the conveyor to the sanding head quick and easy. Conveyor motor is placed on the back of the saw providing pulling motion instead of pushing.

Intellisand Technology automatically adjusts the feed speed to provide consistent finish even with varying grain pattern and density. Meaning no burning, rip-out or damaging the workpiece. A newly designed Turbo Vented Dust Port increases air-flow to dust collectors by 15%.

Designed by professionals for demanding work, smooth operation, narrow and wide workpieces, precise sanding and quick setup.



Wrenches always at hand



Simple Replacement of the Abrasive



Built-in Digital Thickness Read Out



Index lever will properly adjust the conveyor to give a seamless finish

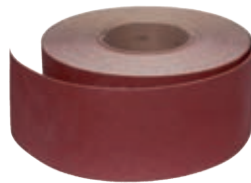
Available Accessories

Drum Sander Folding Infeed/Outfeed Tables



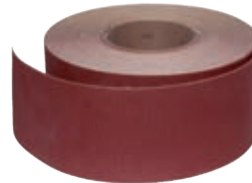
SKU: 151-1632FT

Abrasive Roll Cloth, backed 76mm x 25m antistatic
Grit: 60, 80, 100, 120, 150 a 180



SKU: M401-725

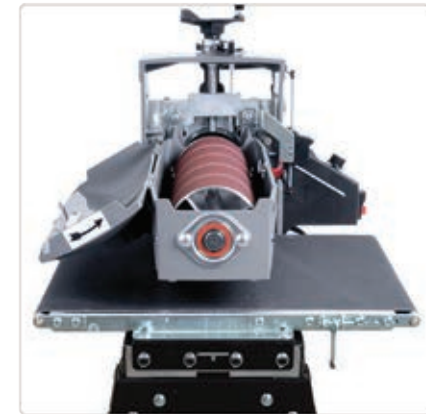
Abrasive Roll Cloth, backed 76mm x 25m standard
Grit: 60, 80, 100, 120, 150 a 180



SKU: M402-725



Extends your worktop to 110 cm



Easy access to drum

Revo 1216 Woodturning Lathe

LAGUNA

SKU: 151-1216

Supplied with:

- Spindle Centre
- Live Centre
- Faceplate
- Toolrest
- Knockout Rod
- Spanner for Spindle Stop

Ergonomic control panel from eloxed aluminium and a designed dural speed control

Expansion Set 254 mm (optional accessories)

Handy adjustable shelf for chisels and tools

Mobility Kit (optional accessories)



Industrial Flood Light (optional accessories)

Ground steel wide bed

Tailstock with storage

Expansion Set 254 mm (optional accessories)

Cast iron headstock and bed

Adjustable Stand (optional accessories)

Powerful motor with high torque even in low-speed settings

PARAMETERS

Type: **REVO 1216**

Rating: **Professional**

Power Output (230 V): **750 W**

Speed Range: **50 - 525, 325 - 1750, 650 - 3500 rpm**

Swing over Bed: **310 mm**

Distance between Centres: **390 mm**

Spindle Thread: **M33 × 3,5 mm**

Spindle/Tailstock Taper: **MK2 / MK2**

Headstock/Tailstock Bore: **17 / 17 mm**

Quill Travel: **63 mm**

Toolrest Post Size: **25,4 mm (1")**

Length x Width x Height: **750 × 226 × 442 mm**

Weight: **56,3 kg**



Revo 1216 Woodturning Lathe

Technical Details

Midi-lathe Laguna 1216 features a robust design including a cast-iron headstock, tailstock, perfectly ground bed and a tool rest with a hardened steel edge.

One of the striking features of the lathe is an ergonomic control panel from eloxed aluminium and a designed dural speed control. The lathe operates in three-speed ranges 50-525, 325-1750, 650-3500 rpm. The speed is smoothly controlled with a dural control wheel and the gears can be changed with a clever one-lever mechanism. Pulse width modulation technology keeps high-torque even at low rpm.

Tailstock lock handle is positioned on the backside of the lathe. Ergonomically designed handles use excentre locking for strong hold.

Can be equipped with lighting, bed extensions, handy stand and wheels for mobility.

Note: Distance between centres may change depending on the accessories and extensions used.



Woodturning lathe in basic equipment (without accessories)



Bed width 160 mm



Ergonomic control panel



Tailstock with storage



Easy access belt

Available Accessories

Industrial Flood Light



SKU: 151-1836L

Expansion Set 254 mm



SKU: 151-1216EXT

Adjustable Stand
kód: 151-1216STA



Mobility Kit
SKU: 151-1412MBA



Handy shelf keeps your accessories at hand



Spindle indexing in 24 points

Revo 1836 Woodturning Lathe

LAGUNA

SKU: 151-1836

Supplied with:

- Stand
- Spindle Centre
- Live Centre
- Faceplate
- Toolrest
- Pads for Lights
- Knockout Rod
- Spanner for Spindle Stop

Induction Motor

Handy Tool Storage

Control Panel with Digital Readout

Cast-Iron Toolrest

Cast-Iron Tailstock with a Tool Rack

PARAMETERS

Type: **REVO 1836**

Rating: **Professional**

Power Output (230 V): **1,5 kW**

VFD: **Delta S1**

Speed: **50-3500 rpm**

Swing over Bed: **457 mm**

Distance between Centres: **914 mm**

Spindle Thread: **M33 x 3,5 mm**

Spindle Taper: **MK2 / MK2**

Headstock / Tailstock Bore: **17 / 17 mm**

Tailstock Quill Travel: **115 mm**

Toolrest Post Size: **25,4 mm (1")**

Length x Width x Height: **1524 x 660 x 1194 mm**

Weight: **194 kg**



LAGUNA REVO 1836

Precision Ground Steel Bed

Heavy Cast-Iron Headstock and Legs

Revo 1836 Woodturning Lathe

Technical Details

Stability, quality and robustness are the main features of this machine. Designed for true specialists and woodturning professionals in small and medium-sized woodshops.

One of the striking features of the lathe is an ergonomic control panel from anodized aluminium and a designed duralumin speed control. Blue-lit speed indicator with a designed control knob sets this machine apart from the competition.

Solid bed with an impressive width of 208 mm is made of high-quality steel and is precisely ground providing smooth travel of the headstock, tailstock and toolrest. The spindle is run by a highly efficient 1,5 kW induction motor with a VFD frequency converter for high torque even at lower speeds. The speed is smoothly controlled with a duralumin knob and the gears can be changed with a clever one-lever mechanism.

The headstock, tailstock and legs of the lathe are made from cast-iron securing minimum vibration and high comfort for turning of oversized pieces. Tailstock and Headstock stops are placed on the back of the machine and will not get in the way. Ergonomically designed handles use a cam lock resulting in a firm feel with no deflection.

Note: Distance between centres may change depending on the accessories and extensions used.



208 mm Wide Solid Steel Bed



Ergonomic Control Panel



Tailstock with a Tool Rack



Simple Speed Range Change

Available Accessories

Swing Away Extension



SKU: 151-1836SE

Wheel System



SKU: 151-1836WK

Industrial Flood Lights



SKU: 151-1836L



Handy Tool Storage



Spindle Indexing

B Flux Dust Collector

LAGUNA

SKU: 151-BFLUX1



Supplied with:

- Filter
- Two plastic waste bags

PARAMETERS

Type: **BFlux1**

Rating: **Trade**

Power Output (230 V): **750 W**

Airflow: **884 m³/h**

Noise Level: **76 dB**

Collection Bag Size: **600 x 900 mm**

Filter Efficiency: **99.97 % @ 0.2-2 microns**

Inlet Diameter: **100 mm**

Max. Pressure: **1215 Pa**

Length x Width x Height: **737 x 381 x 1270 mm**

Weight: **32 kg**



B Flux Dust Collector

Technical Details

Unique, compact and portable extractor ideal for a saw or sander. Ideal for smaller woodshops. Sleek design and power to match.

No more fumbling with a steel band to mount your lower bag, the BFlux comes with a patented Snap-Band that makes changing the bag a breeze. Unlike most similar units the BFlux feels solid and has a low dB rating. The machine comes equipped with a 100 mm dust outlet that you can point downwards or upwards. The hose can then be fitted from the top or bottom.

The BFlux 1 dust extractor comes as standard with a 1micron spun bound pleated filter of 1,6 m2 providing maximum airflow efficiency. Filtration efficiency of 0,2-2 microns @ 99,97 %. Handy crank cleaning system inside the filter prevents clogging and allows cleaning without having to disassemble. It also prevents clogging of the filter.

Supplied in a cardboard box partially assembled. Assembly time is approximately 1 hour.



Solid but Light Build



Simple Filter Grasp



Upward or Downward Inlet Option



Control Panel



Wheels to Move Around

Available Accessories



Spare Filter

SKU: 151-BFluxSF



Plastic Waste Bag

SKU: 151-BFluxDB

C Flux Cyclone Dust Collector

LAGUNA

SKU: 151-CFLUX3T

Supplied with:

- Remote Control
- 2x Drum Collection Bag
- 2x Filter Collection Bag
- Spun Bound Pleated Filter

PARAMETERS

Type: **CFlux3**

Rating: **Professional**

Power Output (400 V): **2,2 kW**

Airflow: **3831 m³/hod.**

Noise Level: **88 dB**

Drum Collection Bag: **960 mm x 960 mm**

Filter Collection Bag: **660 mm x 620 mm**

Filter Efficiency: **99.97 % @ 0,2 - 2 microns**

Max. Pressure: **2800 Pa**

Inlet Diameters: **1x 200 mm / 3x 100 mm**

Length x Width x Height: **1168 x 686 x 2007 mm**

Weight: **140 kg**

Connect up to 3 Hoses

Two-Step Cyclone
Extraction Technology

Clever Lift System

Castor Wheels on the Machine
as well as the Dust Bin



Control Panel

Crank Cleaning System

Robust Metal Design

Spun Bound Pleated Filter
99.97 % @ 0,2 - 2 microns



C Flux Cyclone Dust Collector

Technical Details

Powerful cyclone dust collector for large professional woodshops providing efficient extraction.

The CFlux 3 range sets a new standard of dust extraction. The Cyclone dust extraction system maximizes airflow to increase the efficiency of suction.

Efficient filter with manual cleaning - Securely affixed microfilter does not stand in the way of fluent airflow which enhances the performance of the filtration system. The CFlux 3 dust extractor comes as standard with a 1-micron spun bound pleated filter of 4,5 m² providing maximum airflow efficiency. Filtration efficiency of 0,2-2 microns @ 99,97 %. Handy crank cleaning system inside the filter prevents clogging and allows cleaning without having to disassemble. The lower part filtration is equipped with a collection bag for fine dust collection.

Clever waste drum design - Emptying the waste drum has never been easier. Clever lifting mechanism lifts up the bin with one pull on the lever. Lifting the handle sets down the container. Pushing the lever effectively lifts the drum and seals it against the drum lid. This lifts the container to the extractor and the whole machine is easy to move around the woodshop or used with a floor gulper. The container with a waste drum is fitted with castor wheels for easy movement.

Cyclone system - Two-step cyclone filtration system offers far better performance than one step extractors. Larger waste is separated into the waste compartment before it reaches the second phase of filtration. This system secures constant suction and great performance of the unit.

Comes partially disassembled in a transport crate.
Assembly time is approximately 4-5 hours.



Sturdy Design C-Flux3



Multiple Hose Connection



Clever Drum Lift System



Available Accessories

Drum Collection Bag 960 x 960 mm



SKU: 151-CFluxDB

Filter Collection Bag 660 x 620 mm



SKU: 151-CFluxDB2

1-Micron Pleated Filter



SKU: 151-CFluxSF



Remote Control + Control Panel

P Flux Cyclone Dust Collector

LAGUNA

SKU: 151-PFLUX3T

Supplied with:

- Remote Control
- 2x Drum Collection Bag
- HEPA Filter

PARAMETERS

Type: **PFlux 3**

Rating: **Professional**

Power Output (400 V): **2,2 kW**

Airflow: **3831 m³/hod.**

Noise Level: **76 dB**

Drum Collection Capacity: **209 l**

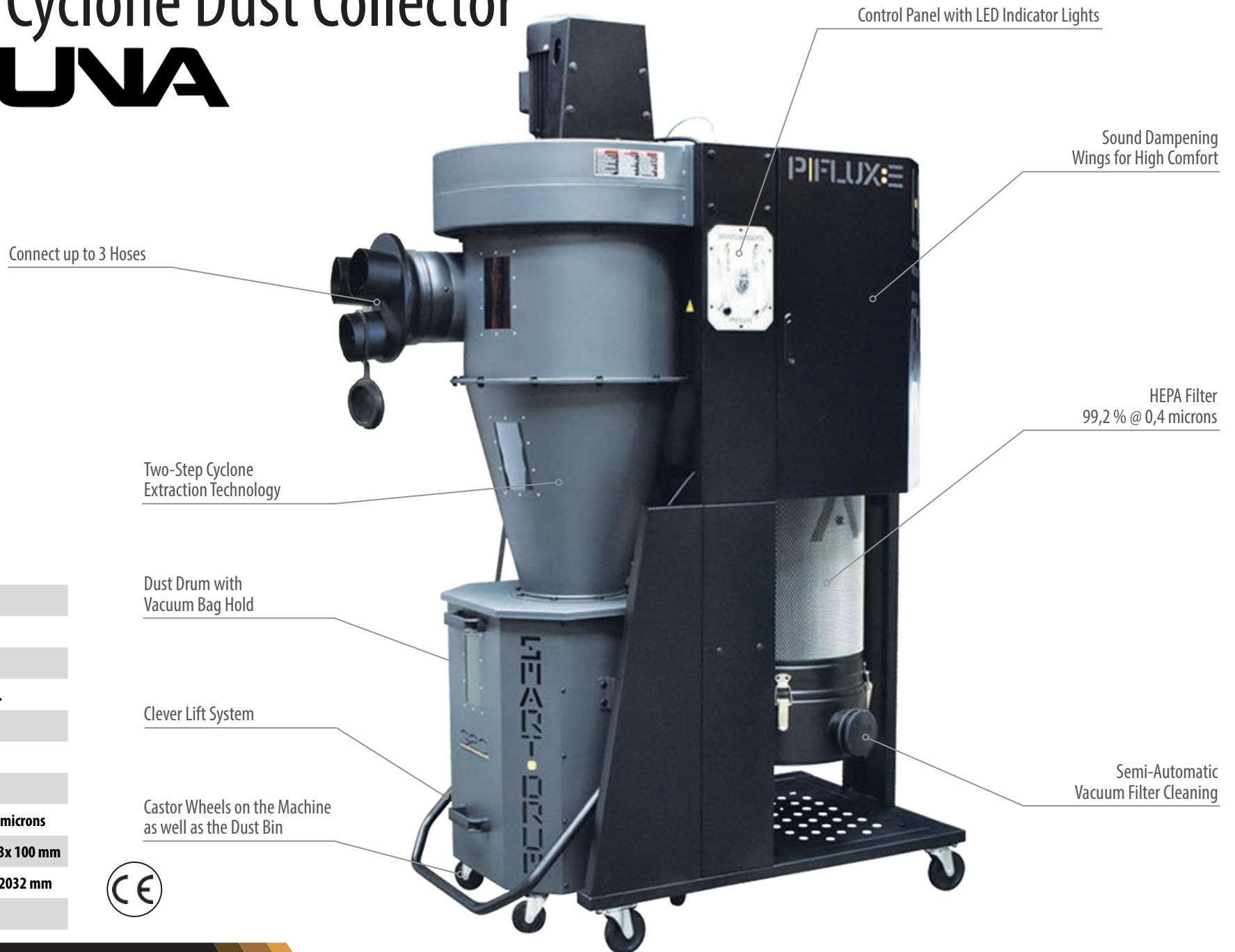
Max. Pressure: **2800 Pa**

Filtration Efficiency: **99,2 % @ 0,4 microns**

Inlet Diameters: **1x 200 mm / 3x 100 mm**

Length x Width x Height: **1168 x 686 x 2032 mm**

Weight: **160 kg**



P Flux Cyclone Dust Collector

Technical Details

The PFlux 3 is the most efficient extractor in the IGM Laguna Flux range providing unbeatable suction, high comfort and maximum extraction guarantee. Comes fitted with a HEPA filter. Wings protecting the filter are fitted with sound dampening foam that effectively reduces noise.

What is a HEPA filter and how it works - The HEPA is a highly efficient particle filter with a 99,2 % filtration @ 0,4 microns. Regular filters are usually able to filter only 1-2 microns. The filter is made from fibreglass and is folded multiple times to improve filtration. The securely affixed microfilter does not stand in the way of fluent airflow which enhances the performance of the filtration system. If the filter were only one layer, the efficiency would be zero. The folded design allows it to contain the smallest dust particles and thus filters the air in your woodshop. PFlux 3 is fitted with a clogging indicator signalled by a LED light of the control panel. You can create a vacuum in the HEPA by connecting the main container with the microfiltration cap using a hose, this technique cleans the insides of the machine. Make your maintenance more efficient blowing out the filter from the outside during cleaning.

Clever waste drum design - Emptying the waste drum has never been easier. Clever lifting mechanism lifts up the bin with one pull on the lever. Lifting the handle sets down the container. Pushing the lever effectively lifts the drum and seals it against the drum lid. This lifts the container to the extractor and the whole machine is easy to move around a woodshop or used with a floor gulper. The container with a waste drum is fitted with castor wheels for easy movement. Connecting the container to the extractor creates a vacuum on the bottom of the drum. This vacuum holds the bag in the drum and prevents it from being sucked into the cone. No other cyclone or dust machine has such a smart system. Should you decide to use the extractor without a bag, you can easily turn off the vacuum system using only a couple of screws.

Cyclone system - Two-step cyclone filtration system offers far better performance than one step extractors. Larger waste is separated into the waste compartment before it reaches the second phase of filtration. This system secures constant suction and great performance of the unit.

Comes partially disassembled in a cardboard box.
Assembly time is approximately 4-5 hours.



Sound Dampening Wings



Full Drum Indicator



Clever Drum Lift System



Available Accessories

Drum Collection Bag 960 x 960 mm

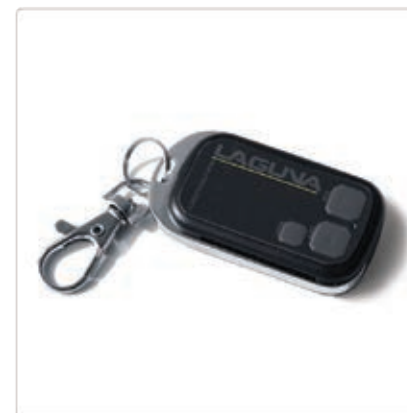


SKU: 151-CFluxDB

Spare HEPA Filter



SKU: 151-PFluxSF



Remote Control + Control Panel with LED Indicators

A Flux Air Filtration System

LAGUNA

SKU: 151-AFLUX12

Supplied with:

- 4 Screws for Ceiling Mounting
- 4 Rubber Legs
- Outer Washable Electrostatic Filter
- Inner Filter
- Remote Control (2x AAA batteries included)

PARAMETERS

Type: **AFlux**

Rating: **Professional**

Power Output (230 V): **150 W**

Max. Airflow: **917, 1240, 2038 m³/hour**

Outer Filter: **5 microns**

Inner Filter: **1 micron**

Timer: **YES**

Timer Settings: **1, 2, and 4 hours**

Remote Control: **YES**

Noise (high speed): **59,6 dB**

Noise (medium speed): **56,1 dB**

Noise (low speed): **55,6 dB**

Length x Width x Height: **712 x 610 x 305 mm**

Weight: **25 kg**



Remote Control

Holes for Ceiling Mounting

Indicator Monitors Filter Cleanliness

Recycles a 6 x 6 x 2,5 m Woodshop up to 22x/hour

A Flux Air Filtration System

Technical Details

Designed for efficient filtration of dust particles in larger woodshops. This Air Filtration Unit is designed to recycle all of the air in a 6 x 6 x 2,5 m space up to 22 times per hour at its highest speed.

Supplied with an outer washable electrostatic filter with an inner filter that captures all particles larger than 1 micron ensuring clean air output.

The unit is equipped with a 150w motor delivering a class-leading airflow of 917 / 1240 / 2038 m3 per hour. Timer settings from 1/2, 2 to 4 hours allow the user to set the unit with confidence that, while they are away, the unit will clean the air in the shop and then turn itself off.

Supplied assembled in a cardboard box.

Make sure to remove the polystyrene padding from inside the unit before use. The padding is there to prevent damage during transport.



Clean Air Outlet



Outer Filter



Filter Cleanliness Indicator



Control Panel

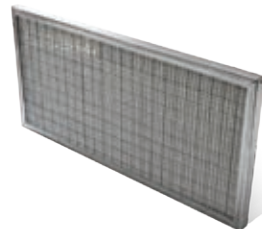
Available Accessories

Replaceable Inner Filter



SKU: 151-AFluxIF

Electrostatic Outer Filter



SKU: 151-AFluxOF



Remote Control



Outer and Inner Filter

LAGUNA

LAGUNA REVOLEIF

LAGUNA

BECOME OUR PARTNER AND DISTRIBUTOR OF LAGUNA MACHINERY

Work with us and expand the range of your machinery by adding Laguna Tools to your offer.

IGM Tools and Machinery is the exclusive distributor of Laguna machines in Central and Eastern Europe with a central warehouse on the outskirts of Prague.

Our Distributors Can Expect:

- Wide range of high-quality machinery for woodwork and other materials.
- Machines stocked in a modern distribution centre on the outskirts of Prague.
- Simple import of products to your website.
- Technical support, advantageous conditions and rebate enhancements.
- Brand support using traditional and new media (catalogues, banners, social media, online marketing).

IGM[®]

Tools & Machinery

Importer and Distributor for the EU

LAGUNA

Local Dealer:



www.laguna.igmttools.com

This document is for personal use only. All other uses, reproductions and copying are prohibited without the prior written consent of IGM nástroje a stroje s. r. o.

IGM is a registered trademark of IGM nástroje a stroje s. r. o.

IGM nástroje a stroje s. r. o., Ke Kopanině 560, Tuchoměřice, Postcode: 252 67, Czech Republic, ID 25114727, VAT ID CZ25114727.

© 2020 IGM nástroje a stroje s. r. o.

SKU: F000-90140-EN

